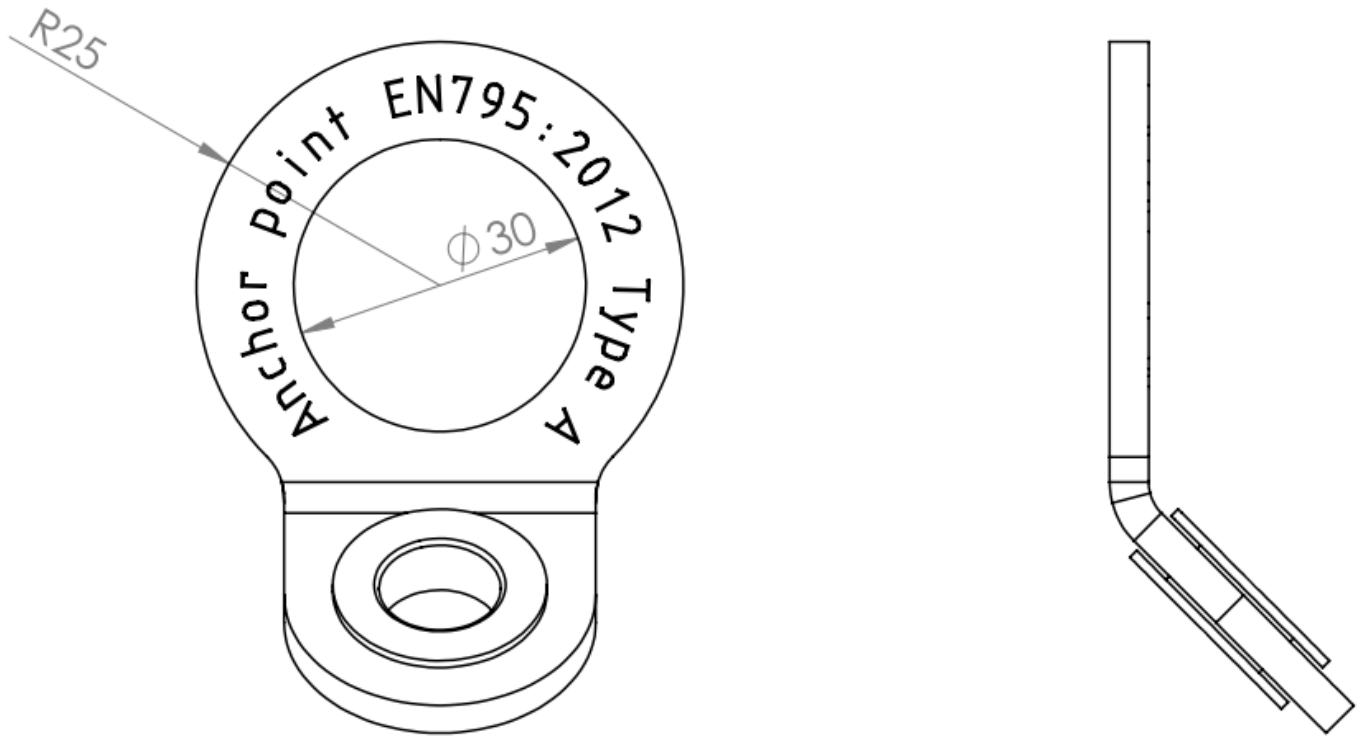


Swivel Anchor

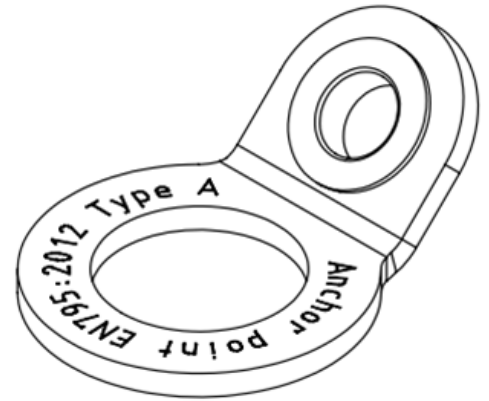
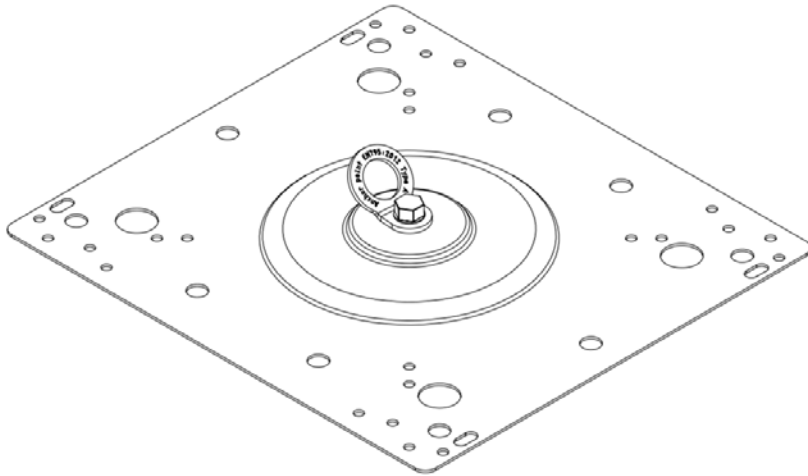


Specification

Product code	FP-AC-SW
Material number	1592407
Material	Stainless steel grade 304
Finish	Polished
Weight (kg)	0.07
Quality	ISO 9001
Conformity	EN 795:2012, CEN/TS 16415:2013

Application

Swivel Anchor can be used as a single point anchor attachment fitted to a structure or a Multi-use baseplate.



The details stated are results of tests and/or calculations and therefore are non-binding and do not represent guarantees or warranted characteristics for not specified applications. All calculations therefore have to be checked and approved by the responsible planner ahead of execution. The user is responsible to assure compliance with all applicable laws and regulations.