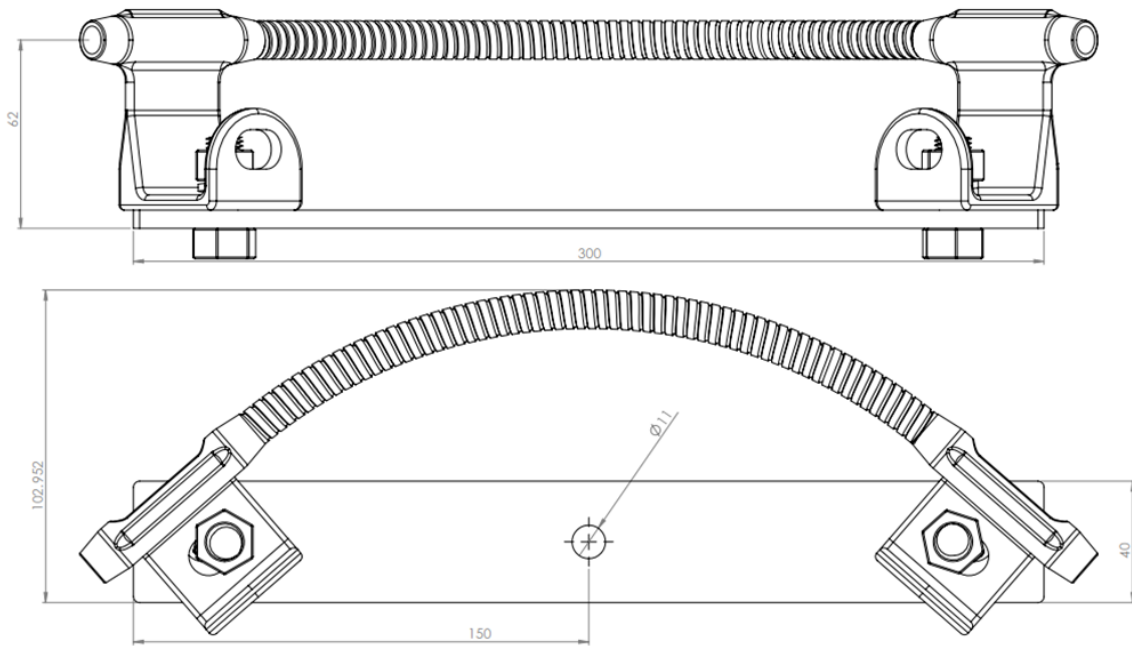


Adjustable Corner Kit

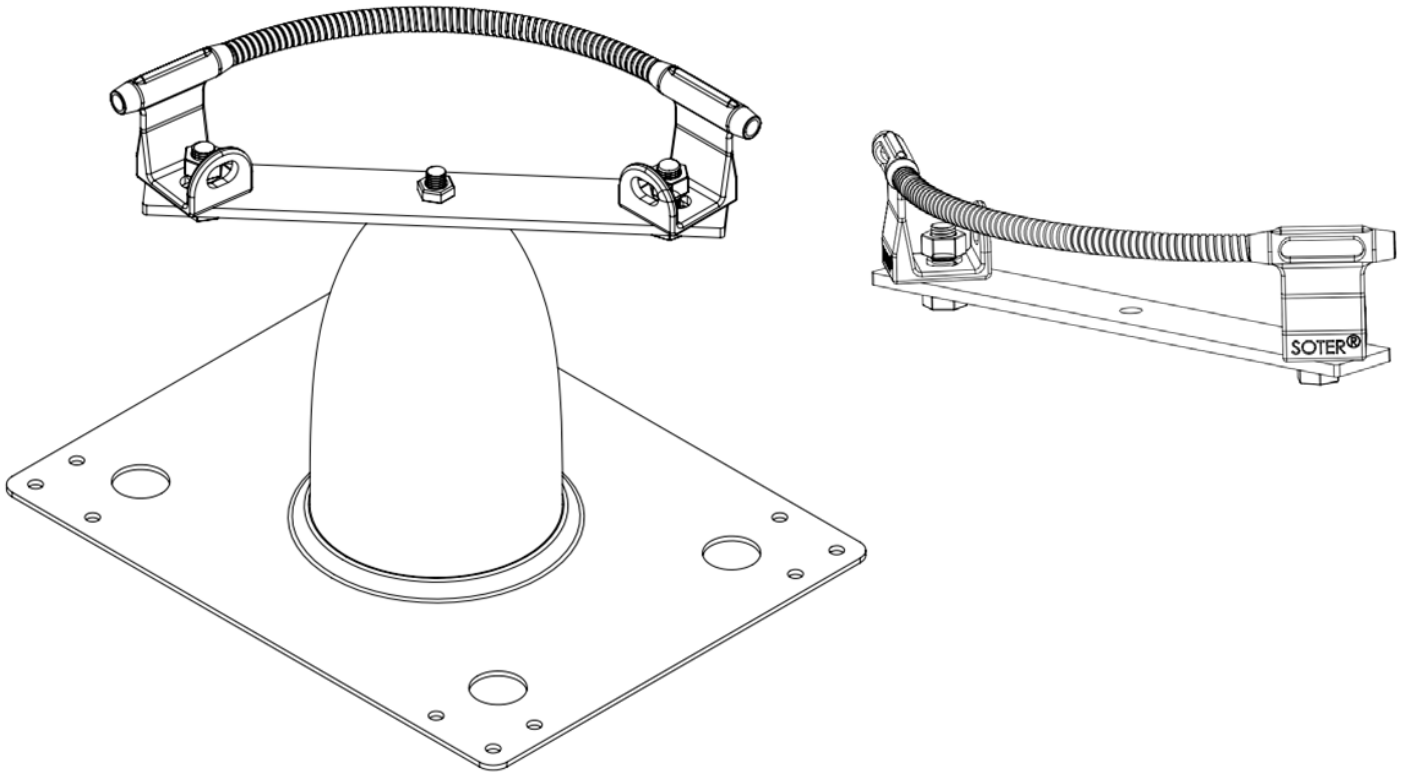


Specification

Product code	FP-CK-ADJ
Material number	1501223
Material	Stainless steel grade 304
Finish	Polished
Weight (kg)	1.220
Quality	ISO 9001
Conformity	EN 795:2012, CEN/TS 16415:2013

Application

Adjustable Corner Kit to be fitted to Soter™ II high load can to create a 90–135 degree turn, with adjustability. Flexible tube maintains smooth movement of Slider device over bracket.



The details stated are results of tests and/or calculations and therefore are non-binding and do not represent guarantees or warranted characteristics for not specified applications. All calculations therefore have to be checked and approved by the responsible planner ahead of execution. The user is responsible to assure compliance with all applicable laws and regulations.