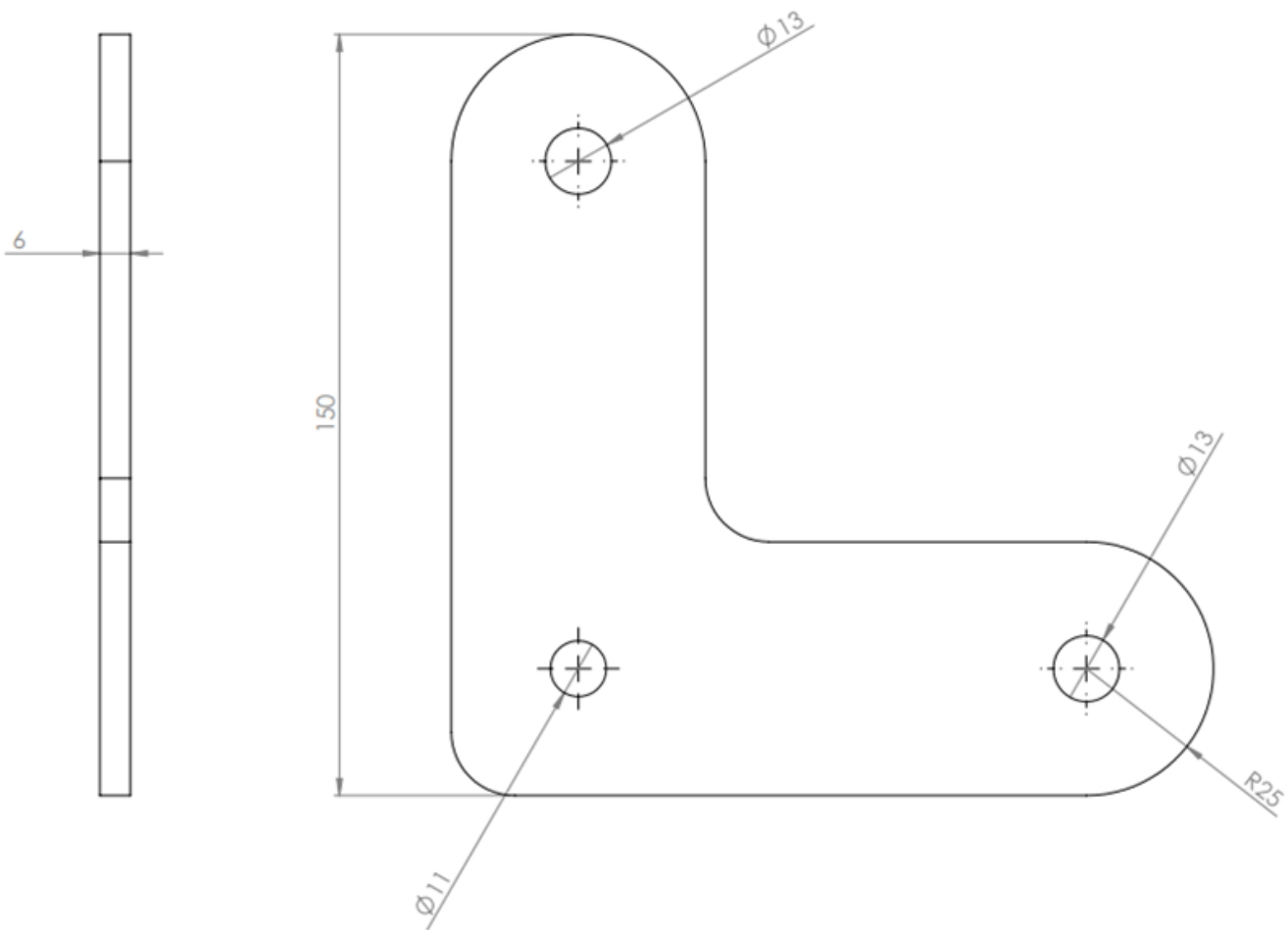


# 3 Hole Plate



## Specification

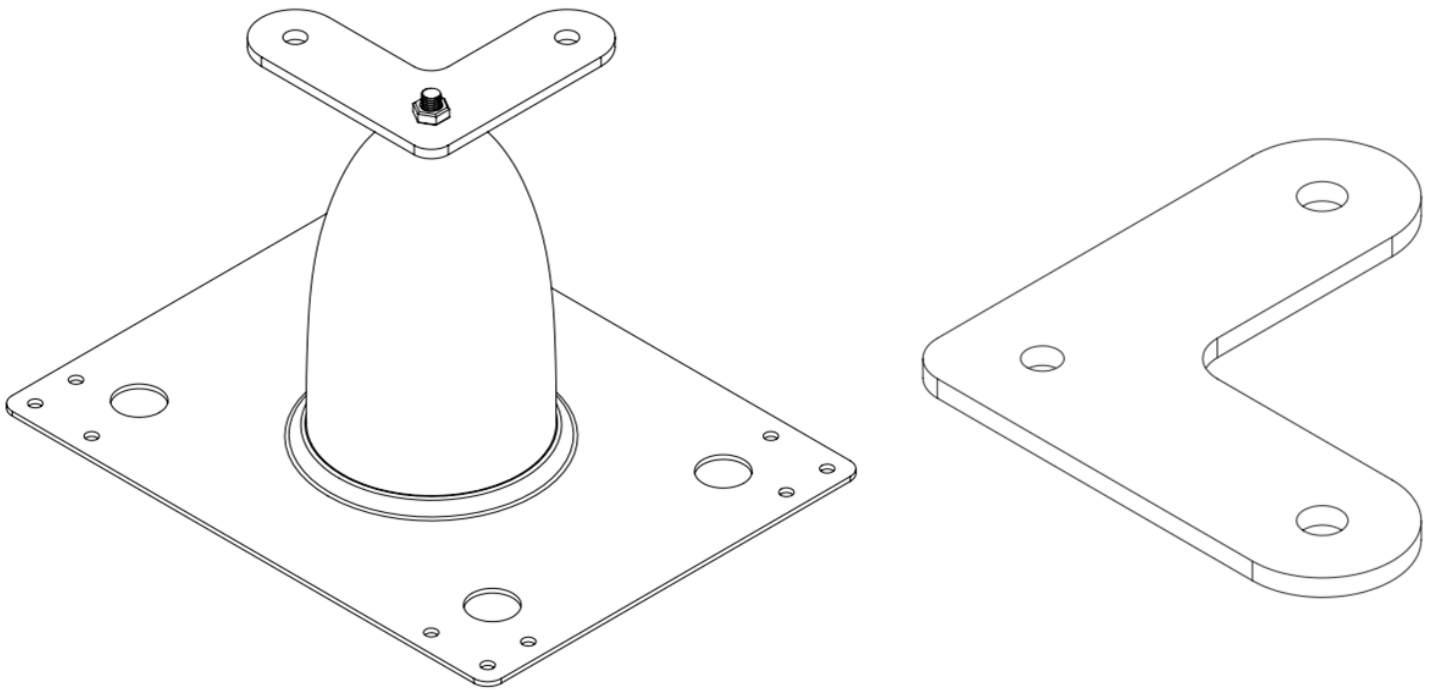
<b>Product code</b>	FP-CP-90
<b>Material number</b>	1501203
<b>Material</b>	Stainless steel grade 304
<b>Finish</b>	Brushed
<b>Weight (kg)</b>	0.565
<b>Quality</b>	ISO 9001
<b>Conformity</b>	EN 795:2012, CEN/TS 16415:2013

---

**Application**

3 Hole Corner Plate to be fitted to Soter™ II high load post to create a start/end termination from a single post.

---



The details stated are results of tests and/or calculations and therefore are non-binding and do not represent guarantees or warranted characteristics for not specified applications. All calculations therefore have to be checked and approved by the responsible planner ahead of execution. The user is responsible to assure compliance with all applicable laws and regulations.