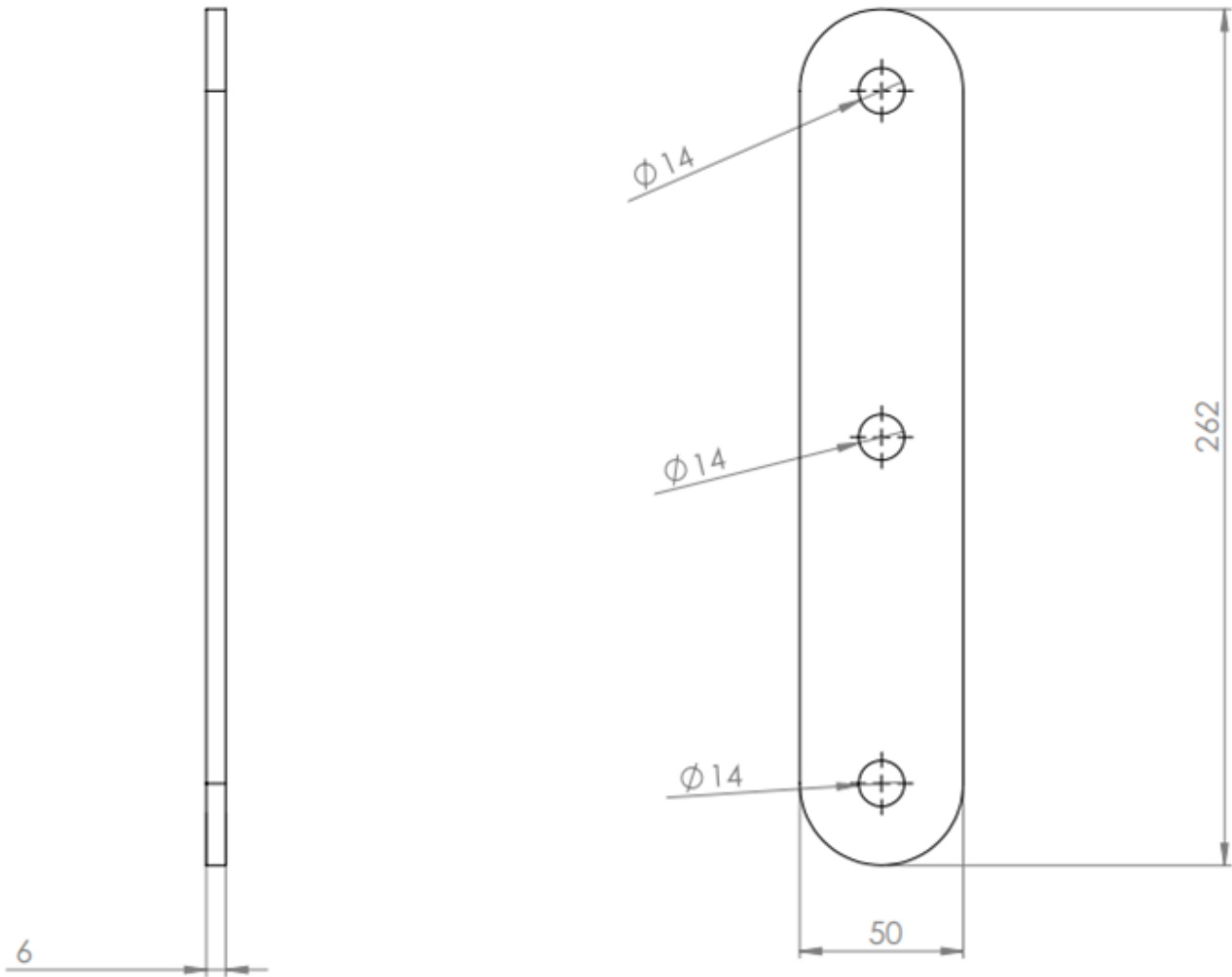


3 Hole Plate



Specification

Product code	FP-CP-3H
Material number	1501202
Material	Stainless steel grade 304
Finish	Brushed
Weight (kg)	0.565
Quality	ISO 9001
Conformity	EN 795:2012, CEN/TS 16415:2013

Application

3 Hole Plate to be fitted to Soter™ II high load post to create an in-line start/end termination from a single post.

