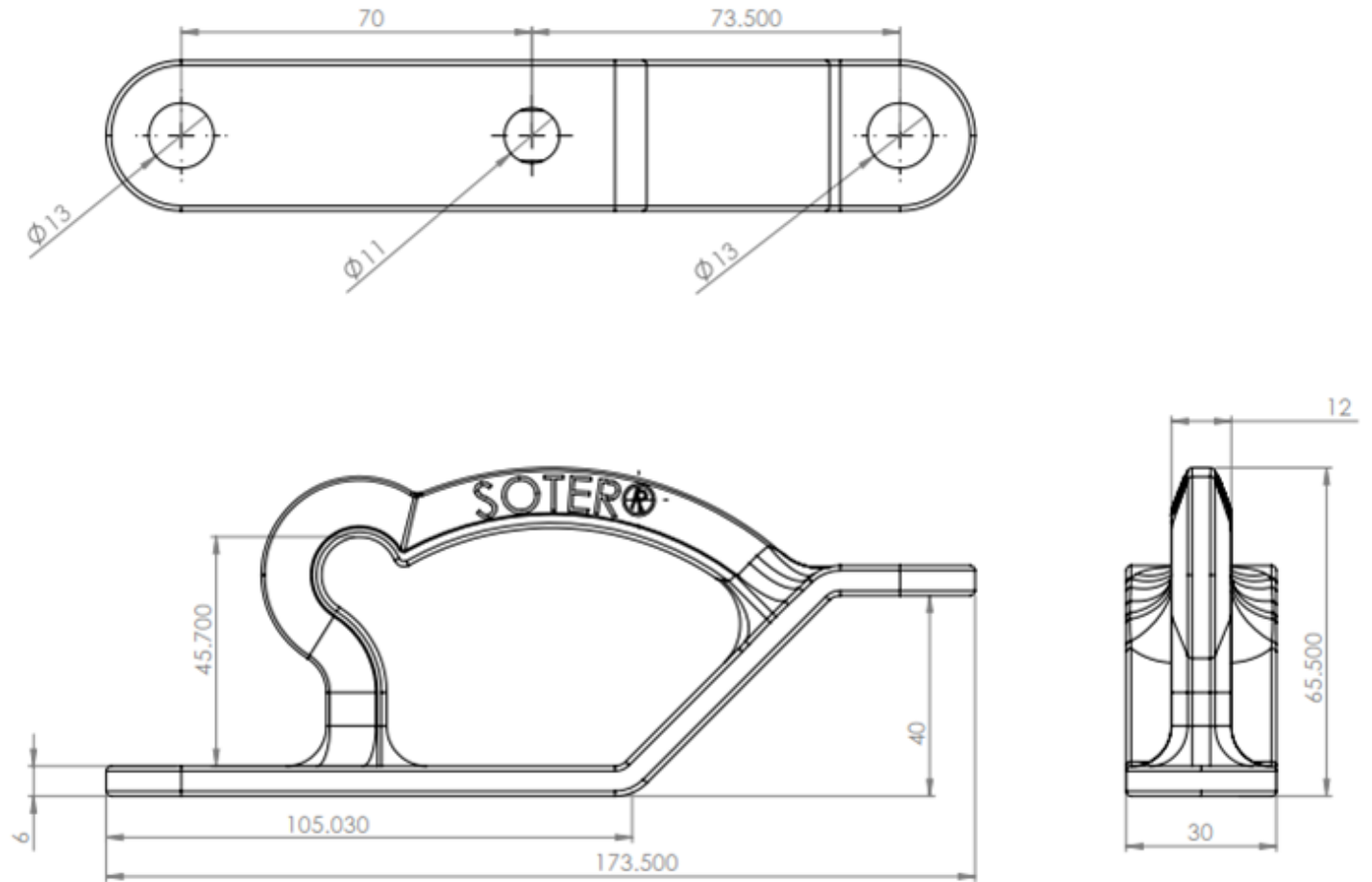


# Universal End Anchor



## Specification

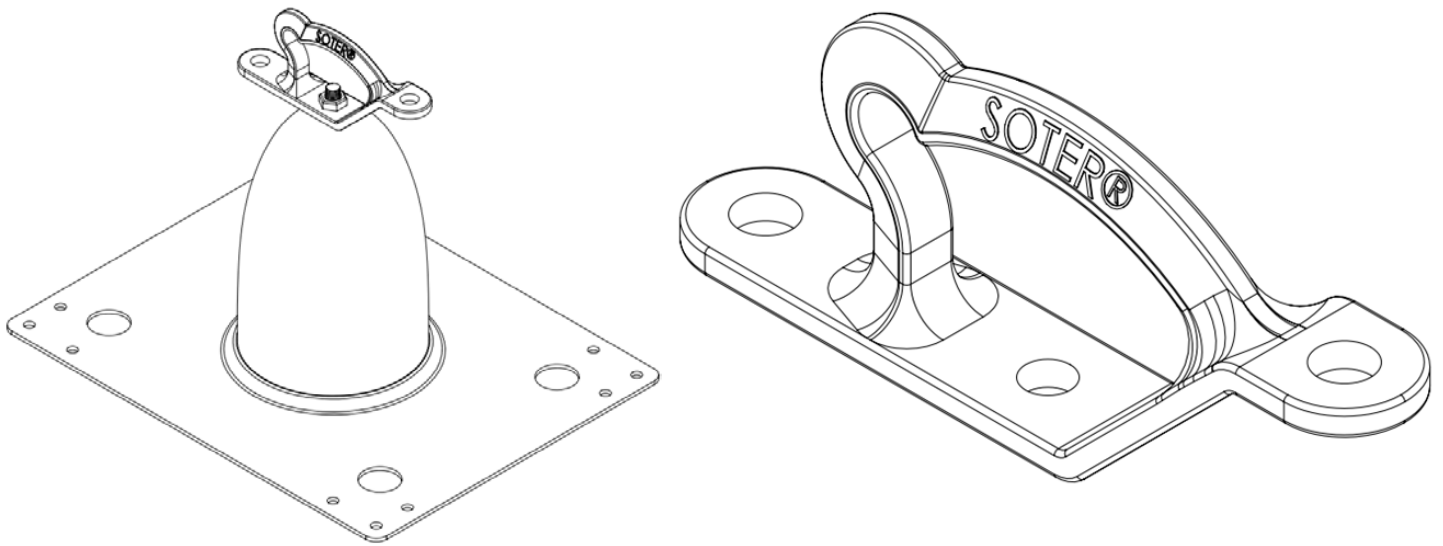
<b>Product code</b>	FP-A-UA
<b>Material number</b>	1501189
<b>Material</b>	Stainless steel grade 316
<b>Finish</b>	Polished
<b>Weight (kg)</b>	0.390
<b>Quality</b>	ISO 9001
<b>Conformity</b>	EN 795:2012, CEN/TS 16415:2013

---

**Application**

Universal End Anchor Bracket to be fitted to Soter™ Horizontal Lifeline system post or rigid structure using central M10 fixing location to create a start/end termination from heightened end. Can also accommodate access strop from lower end.

---



The details stated are results of tests and/or calculations and therefore are non-binding and do not represent guarantees or warranted characteristics for not specified applications. All calculations therefore have to be checked and approved by the responsible planner ahead of execution. The user is responsible to assure compliance with all applicable laws and regulations.